

VTO3211D-P/P2/P4-S1

# VTO3211D-P/P2/P4-S1

IP 1/2/4-button Villa Outdoor Station



## Technical Specification

Model	VTO3211D-P/P2/P4-S1
System	
Main Processor	Embedded Micro Processor
Operation System	Embedded LINUX OS
Video	
Video Compression	H.264
Image Sensor	1/2.8" 2MP CMOS
Focal Length	1.9mm
Angle of View	H:134°, V: 94.8°, D:151°
Day/Night	ICR
Audio	
Audio Compression	G.711
Audio Input	Omnidirectional Mic
Audio Output	Built-in Speaker
Bidirectional Talk	Support Dual-way Bidirectional talk
Operation Mode	
Keypad	1/2/4 Mechanical Buttons
Reader	Mifare Card
Interface	
Door Control	1
Alarm Out	1
Alarm In	2(1ch unlock button, 1ch feedback)
RS485	1

## Features

- 2MP HD CMOS camera
- Zinc Alloy panel, IK08, IP65 (Apply silica gel to gaps between the device and the wall. Liquid sodium silicate is recommended. For details, see the quick start guide.)
- ICR Night vision & Voice indication
- Video & Audio messaging
- Remote intercom with mobile APP
- Surface mounted



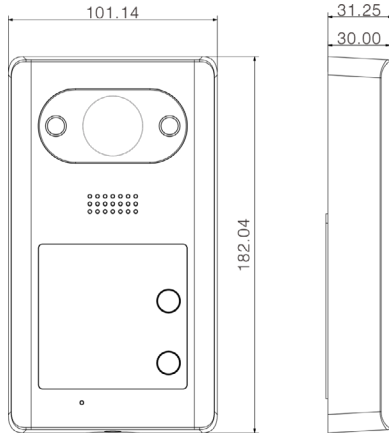
## Network

Ethernet	10M/100Mbps Self-adaptive
Network Protocol	TCP/IP
Ethernet	10M/100Mbps Self-adaptive
Network Protocol	TCP/IP

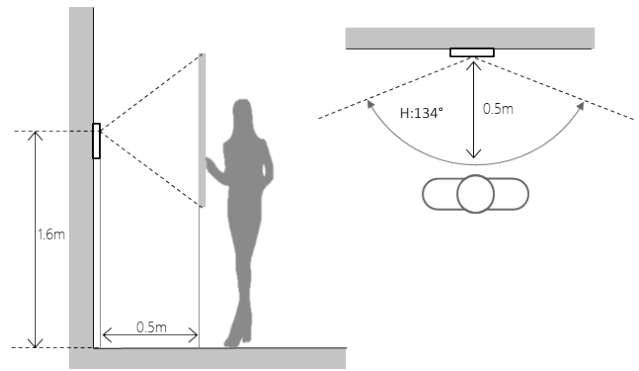
## General

Ingress Protection	IK08, IP65 (Apply silica gel to gaps between the device and the wall. Liquid sodium silicate is recommended. For details, see the quick start guide.)
Tamper Switch	1
Installation	Surface
Material	Zinc Alloy
Power	DC 12V, PoE(802.3af)
Power Consumption	Work ≤6W
Working Temperature	-30°C to +60°C
Relative Humidity	10%RH~90%RH
Dimensions	182.0mm×30.0mm×101.0mm
Weight	0.8kg

Dimensions



View Area



Application

