

VTO2101E-P-S1

VTO2101E-P-S1

IP Villa Outdoor Station



Features

- HD CMOS camera
- Zinc alloy panel, IP65, IK10
- ICR Night vision & Voice indication
- Video & Audio messaging
- TCP/IP, SIP
- Surface mounted
- IP65 (Apply silica gel to gaps between the device and the wall. Liquid sodium silicate is recommended. For details, see the quick start guide.)



Technical Specification

Model	VTO2101E-P-S1
System	
Main Processor	Embedded Micro Processor
Operation System	Embedded LINUX OS
Camera	
Image Sensor	1/2.7" 2MP CMOS
Focal Length	2.8mm
Angle of View	H:77°, V:55°, D:100°
Angle of View adjustment	Horizontal:-45° – +45°
Video	
Video Compression	H.264
Video Streaming	Dual Stream
Day/Night	Auto(ICR), 5m
BLC Mode	WDR
White Balance	Auto/Natural/Street Lamp/Outdoor/Manual
Gain Control	Auto/Manual
OSD	Support
Audio	
Audio Compression	G.711
Audio Input	Omnidirectional Mic
Audio Output	Built-in Speaker
Bidirectional Talk	Support Dual-way Bidirectional talk
Audio processing	Noise suppression, Echo cancellation

Operation Mode

Keypad	1 Mechanical Button
--------	---------------------

Interface

Door Control	1
Alarm In	1
RS485	1

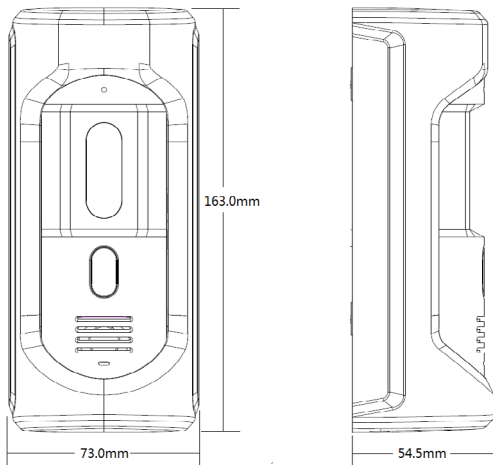
Network

Ethernet	10M/100Mbps Self-adaptive
Network Protocol	TCP/IP, SIP

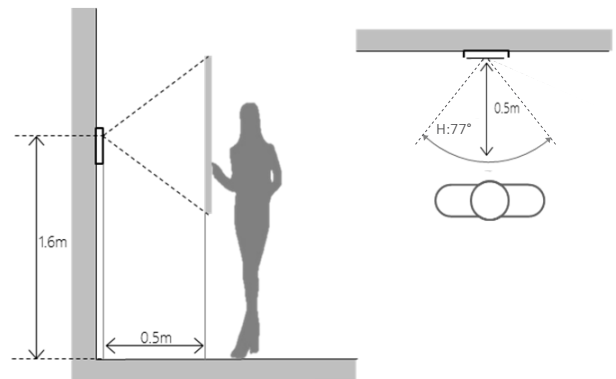
General

Ingress Protection	IK10, IP65 (Apply silica gel to gaps between the device and the wall. Liquid sodium silicate is recommended. For details, see the quick start guide.)
Tamper Switch	1
Tamper Screw	Support
Installation	Surface
Material	Front Panel: Zinc alloy Rear Panel: Aluminum alloy Holder: Aluminum alloy
Power	DC 12V, PoE(802.3af)
Power Consumption	Standby ≤2.5W, Work ≤7W
Working Temperature	-30°C to +60°C
Relative Humidity	10%RH-90%RH
Dimensions	163.0mm×73.0mm×54.5.0mm
Weight	0.8kg

Dimensions



View Area



Application

